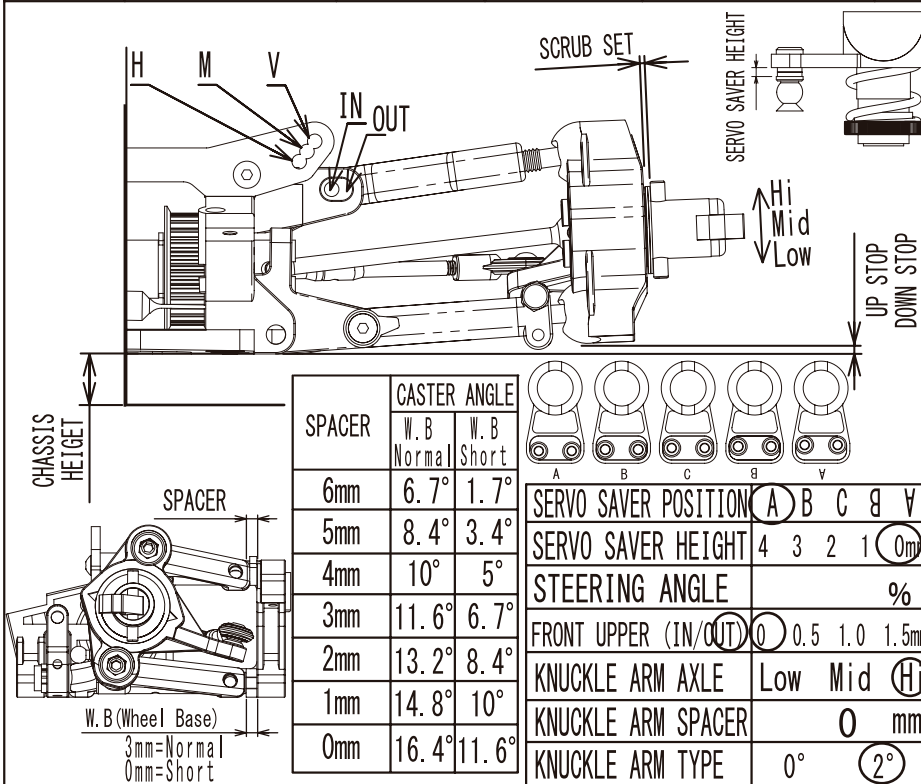


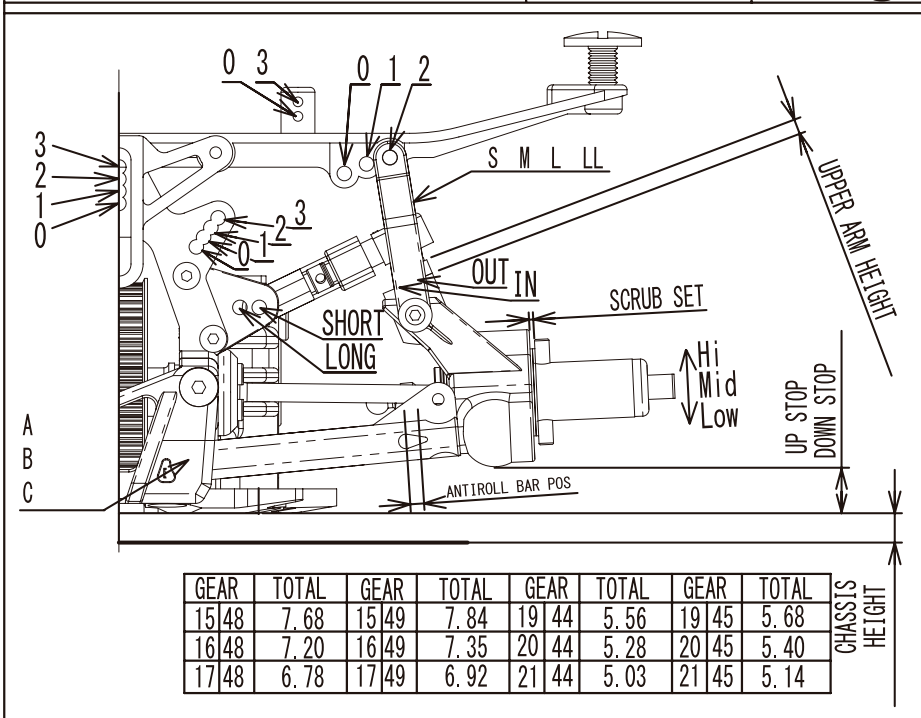
EVOLVA M3

SETTING DATA SHEET Ver 1.00

NAME	T. MIYASHITA	TEMP	°C	ENGINE	SIRIO CL7R	MUFFLER	SIRIO 2013
DATE	2007/10/14	HUMIDITY	%	HEAD CLEARANCE	mm	FUEL TYPE	TORNADO 25%
TRACK	CORDOBA	TRACTION	%	PLUG No.	7	RADIO	FUTABA 3PK-S



SHOCK OIL	300 350 (400) 450 500 550 600
DIAPHRAGM	(N)
SHOCK PISTON	(N)
SPRING	1.8 (1.9) 2.0 WHITE
SPRING ADJUSTER	8.5 mm
SHOCK POS	(H) M V
SCRUB SET	(0.5) 1.0 1.5 2.0
CASTER ANGLE / W.B	8.4° (Normal) Short
CAMBER ANGLE	L 0 0.5 (1) 1.5 2 2.5 3 R 0 0.5 (1) 1.5 2 2.5 3
TOE ANGLE	-1.5 °
FRONT WIDTH (G) 1G	250 mm
SERVO SAVER POSITION	(A) B C D V
SERVO SAVER HEIGHT	4 3 2 1 (0)mm
STEERING ANGLE	%
FRONT UPPER (IN/OUT)	0 0.5 1.0 1.5mm
KNUCKLE ARM AXLE	Low Mid (Hi)
KNUCKLE ARM SPACER	0 mm
KNUCKLE ARM TYPE	0° (2°)
UP STOP	mm
DOWN STOP	0 mm
ANTIROLL BAR (V2084 V2084S)	⊖ ⊙ ⊗ ⊘ ⊙
TIRE HARDNESS	(32) 35 37 40
TIRE TYPE	KYOSHO TYRE
TIRE DIAMETER	φ 66 mm
CHASSIS HEIGHT	mm



SHOCK OIL	400 450 500 550 (600) 700 800
DIAPHRAGM	N WHITE
SHOCK PISTON	(N)
SPRING	1.8 (1.9) 2.0 WHITE
SPRING ADJUSTER	8.8 mm
SHOCK POS	0 (1) 2 3
SCRUB SET	0.5 1.0 (1.5) 2.0
UPPER ARM (LONG) SHORT IN/OUT	2 mm
CAMBER ANGLE	L 0.5 (1) 1.5 2 2.5 3 3.5 R 0.5 (1) 1.5 2 2.5 3 3.5
TOE ANGLE	2.0 °
REAR WIDTH (G) 1G	262 mm
UP STOP	mm
DOWN STOP	+9 mm
ANTIROLL BAR / POS	φ 3 / ⊙ mm
TIRE HARDNESS	32 (35) 37 40
TIRE TYPE	KYOSHO TYRE
TIRE DIAMETER	φ 74 mm
CHASSIS HEIGHT	mm

CLUTCH TYPE	(2D) 3D 4D	PINION GEAR	15 (16) 17 / 19 (20) 21	TIRE DIAMETER	φ 74 mm
CLUTCH SHOE	BLACK (RED) GREY	SPUR GEAR	48 (49) 44 (45)	CHASSIS HEIGHT	mm
CENTRIFUGAL SHOE	(N)	DRIVE RATIO	7mm Difference 26/18 (420 BELT)	SUS HOLDER	A / (B) / C
CLUTCH SPRING	FM432	CENTER POST POSITION	0 / (1) / 2 / 3	REAR HUB AXLE	Low / (Mid) / Hi
CLEARANCE	0.5 mm	BODY MOUNT ANGLE	0 / 1 / (2)	REAR WHEEL BASE	(SHORT) / LONG
ADJ. NUT	0.5 mm	BODY MOUNT HEIGHT	S/M(L)LL (0) 3	BODY	
F-ONEWAY POS	UP / DOWN	FRONT CARBON	(USE) / NOT USE	BODY POSITION	mm
BATTERY PLATE	N / CARBON	SIDE CARBON	(USE) / NOT USE	REAR SPOILER	15 mm

MEMO