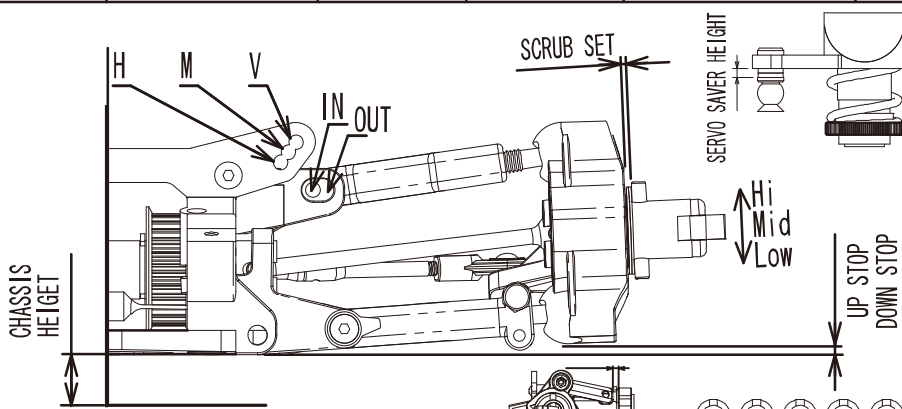


EVOLVA M3 Evo SETTING DATA SHEET Ver 1.00

NAME	L. Collari	TEMP	29 °C	ENGINE	Novarossi	MUFFLER	2015
DATE	2009/8/23	HUMIDITY	%	HEAD CLEARANCE	0.55 mm	FUEL TYPE	ORION
TRACK	Lostallo	TRACTION	100 %	PLUG No.	7	RADIO	SANWA

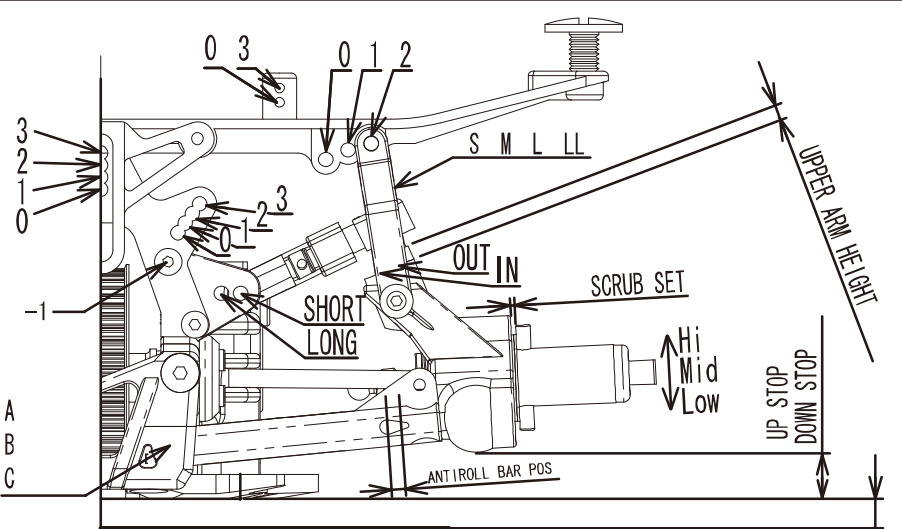


SHOCK OIL	300 350 400 (450) 500 550 600
DIAPHRAGM	(N)
SHOCK PISTON	N Φ1.2-1Hole
SPRING	1.8 (1.9) 2.0 Mugen
SPRING ADJUSTER	mm
SHOCK POS	(H) M V
SCRUB SET	0.5 1.0 1.5 2.0 (2.5)
CASTER ANGLE / W.B	8.4° / N (FMW64) / L (N) S
CAMBER ANGLE OG/1G	L 0 (0.5) 1 1.5 2 2.5 3 R 0 (0.5) 1 1.5 2 2.5 3
TOE ANGLE	-1.5°
FRONT WIDTH OG/1G	252 mm
UP STOP	- mm
DOWN STOP	1.5 mm
ANTIROLL BAR	(VZ084 / VZ084S) (●) (○) (○) (○) (○)
TIRE HARDNESS	(32) 35 37 40
TIRE TYPE	KYOSHO TYRE
TIRE DIAMETER	φ 70.5 mm
CHASSIS HEIGHT	10.0 mm

SPACER	CASTER ANGLE	
	W.B Normal	W.B Short
6mm	6.7°	1.7°
5mm	8.4°	3.4°
4mm	10°	5°
3mm	11.6°	6.7°
2mm	13.2°	8.4°
1mm	14.8°	10°
0mm	16.4°	11.6°

SPACER	CASTER ANGLE	
	W.B Long	W.B Normal
6mm	6.7°	1.7°
5mm	8.4°	3.4°
4mm	10°	5°
3mm	11.6°	6.7°
2mm	13.2°	8.4°
1mm	14.8°	10°
0mm	16.4°	11.6°

SERVO SAVER POSITION	VZ102B 12mm
SERVO SAVER HEIGHT	4 3 2 1 (0mm)
STEERING ANGLE	100 %
FRONT UPPER (IN / FMW60)	0 (0.5) 1.0 1.5mm
KNUCKLE ARM AXLE	(Low) Mid Hi
KNUCKLE ARM SPACER	0 mm
KNUCKLE ARM TYPE	Serpent



SHOCK OIL	400 450 (500) 550 600 700 800
DIAPHRAGM	(N)
SHOCK PISTON	(N) Φ1.1-2Hole
SPRING	(1.8) 1.9 2.0 Mugen
SPRING ADJUSTER	mm
SHOCK POS	-1 (0) 1 2 3
SCRUB SET	0.5 1.0 1.5 (2.0)
UPPER ARM (LONG / SHORT)	(IN) / OUT mm
CAMBER ANGLE OG/1G	L 0.5 1 1.5 2 2.5 3 3.5 R 0.5 1 1.5 2 2.5 3 3.5
TOE ANGLE	+2.5 °
REAR WIDTH OG/1G	263 mm
UP STOP	- mm
DOWN STOP	6 mm
ANTIROLL BAR / POS	(3) / (○) mm
TIRE HARDNESS	32 (35) 37 40
TIRE TYPE	KYOSHO TYRE
TIRE DIAMETER	φ 77.5 mm
CHASSIS HEIGHT	11 mm

GEAR TOTAL	GEAR TOTAL	GEAR TOTAL	GEAR TOTAL	GEAR TOTAL	
15/48	7.68	15/40	7.84	15/50	8.00
16/48	7.20	16/49	7.35	16/50	7.30
17/48	6.78	17/49	6.92	17/50	7.08
19/44	5.56	19/45	5.68	19/46	5.81
20/44	5.28	20/45	5.40	20/46	5.52
21/44	5.03	21/45	5.14	21/46	5.26

GEAR TOTAL	GEAR TOTAL	GEAR TOTAL	GEAR TOTAL	GEAR TOTAL	
15/48	7.42	15/49	7.57	15/50	7.73
16/48	6.95	16/49	7.10	16/50	7.24
17/48	6.55	17/49	6.68	17/50	6.81
19/44	5.37	19/45	5.49	19/46	5.61
20/44	5.10	20/45	5.22	20/46	5.33
21/44	4.86	21/45	4.97	21/46	5.08

CLUTCH TYPE	2D 3D 4D	PINION GEAR	15 (16) 17 / (19) 20 21
CLUTCH SHOE	BLACK RED (GREY)	SPUR GEAR	48 (49) 50 / 44 (45) 46
CENTRIFUGAL SHOE	N	Pulley (Side Rear)	(26/18 / 48/20) (25/18 / 51/22)
CLUTCH SPRING		CENTER POST POSITION	0 / 1 (2) / 3
CLEARANCE	mm	BODY MOUNT ANGLE	0 / 1 (2)
ADJ. NUT	mm	BODY MOUNT HEIGHT	S/M/L (LL) 0 (3)
F-ONEWAY POS	UP / (DOWN)	FRONT CARBON	USE / (NOT USE)
BATTERY PLATE	(N) CARBON / STAINLESS	SIDE CARBON	USE / (NOT USE)

SUS HOLDER	A / (B) / C
REAR HUB AXLE	(Low) / Mid / Hi
REAR WHEEL BASE	SHORT / (LONG)
BODY	Blits09
BODY POSITION	18 mm
REAR SPOILER	4 mm

MEMO